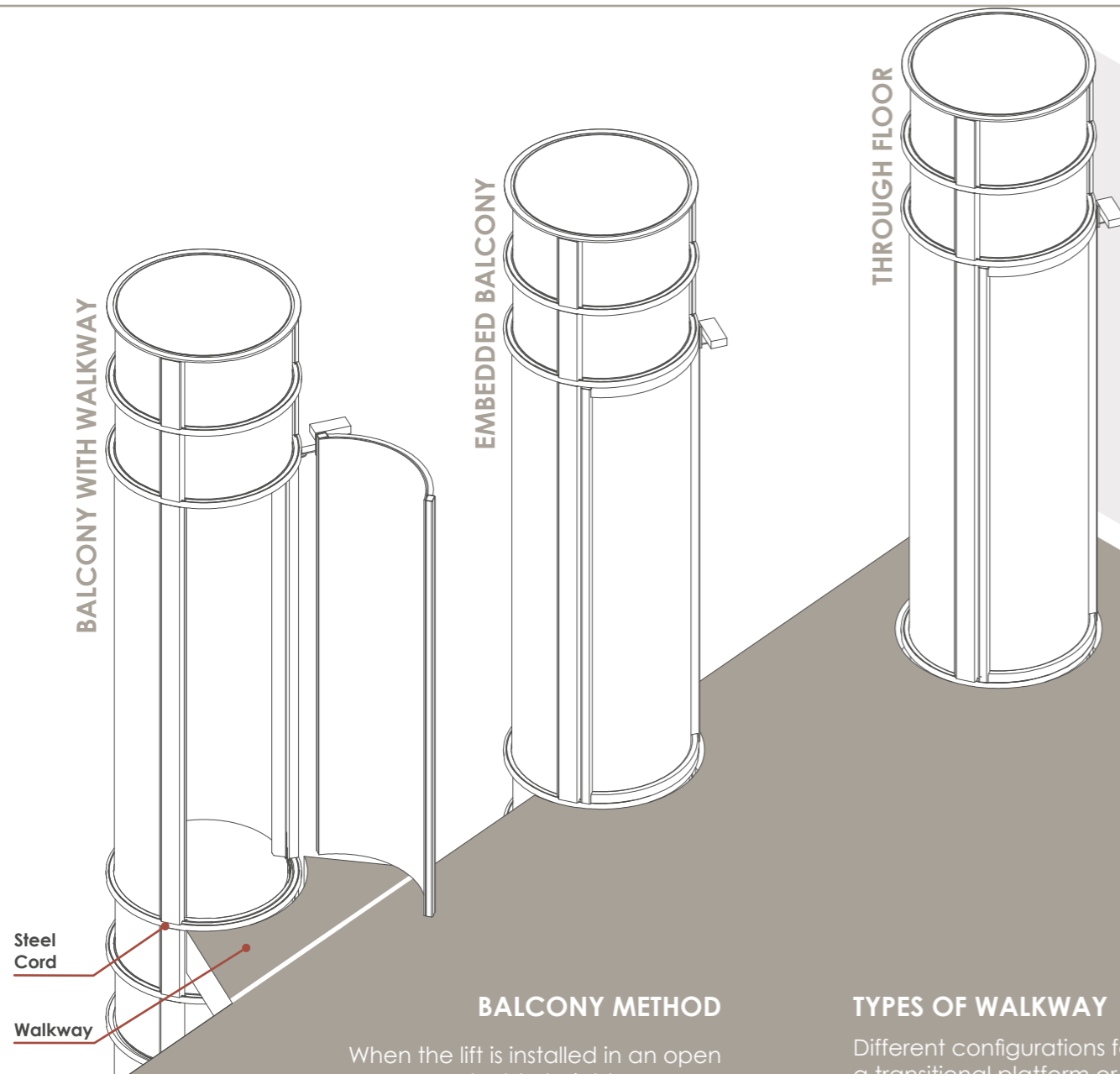


INSTALLATION OPTIONS



Steel Cord
Walkway

BALCONY METHOD

When the lift is installed in an open space, a double-height area or a stairwell where it's not necessary to create a hole

It's characterised by its simplicity and speed of installation.

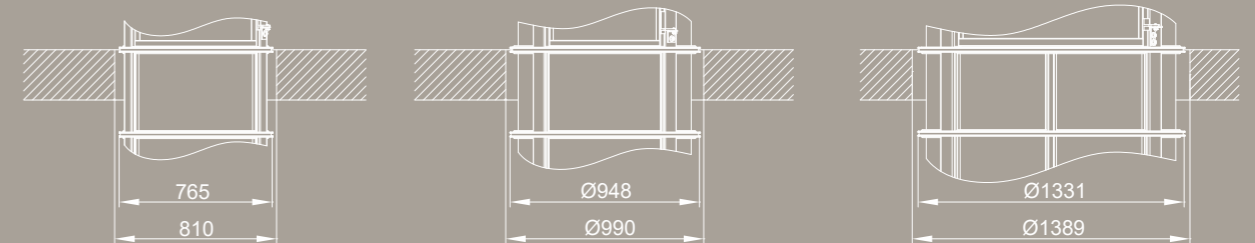
It's necessary to install a **platform for getting out or a walkway (not provided)**, the purpose of which being to cover the space between the lift and the floor and to provide stability for attaching the structure on each floor by means of a **steel cord** used as a belt *(provided by the installer)*

THROUGH FLOOR

THROUGH FLOOR

A hole is made on each floor with a finished diameter 50 mm greater than the exterior diameter of the lift. In lifts with three, four or five stops, the holes must be aligned.

Drawing out of scale



Minimum diameters for holes in through-floor installations.

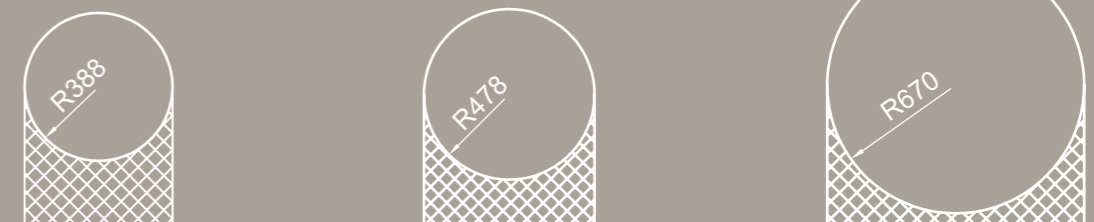
TYPES OF WALKWAY

Different configurations for a transitional platform or walkway



BALCONY PLANS

The transitional platform is a connecting piece between the lift and the floor. The main purpose is to prevent any vacancy between the circular shaft and floor, and creating a nice finish between the finished floor and lift. The finish work is to be done by others and can be done in a number of different configurations and styles.

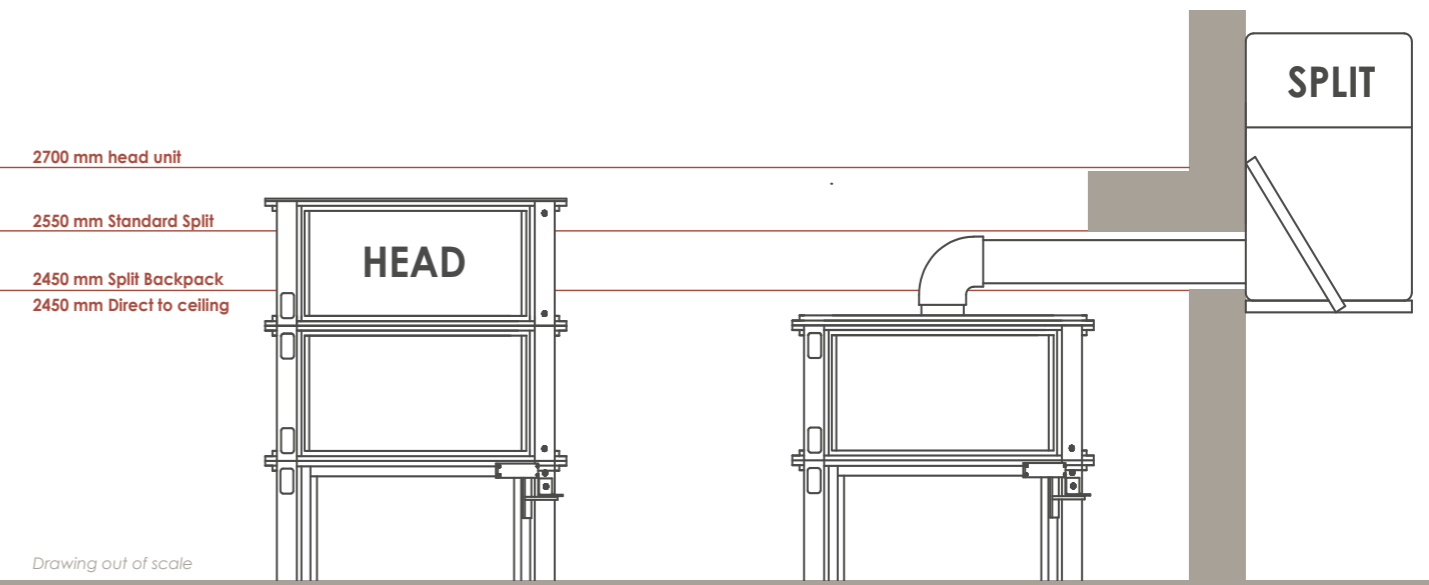




**THE INCREDIBLE DESIGN
THAT ADAPTS TO
YOUR HOME**

HEAD OR SPLIT

Depending on the available height in your home, we have different installation options available. The total height of the cylinder will vary depending on the configuration. The top floor cylinder and roof finish is optional, please talk to your PVE sales representative.



Drawing out of scale

HEAD CONFIGURATION

This is a more aesthetically pleasing and simpler solution, in which the vacuum system is located directly at the top of the upper-floor module.

It's the simplest solution in terms of installation. It simply needs to be plugged in to the 220v mains.

MINIMUM HEIGHT ON THE UPPER FLOOR

2700 mm

SPLIT CONFIGURATION

This configuration allows for the vacuum system to be positioned anywhere in the home, by connecting piping with Ø110-mm PVC tubes to the lift.

The main advantage is that it reduces the minimum height required on the top floor and it takes away the sound of the vacuum system.

We offer four different installation options depending on the available height:

- Standard Split configuration with 90° elbow
- Fake Head configuration
- Split Side Adapter configuration
- Vertical Direct Split configuration

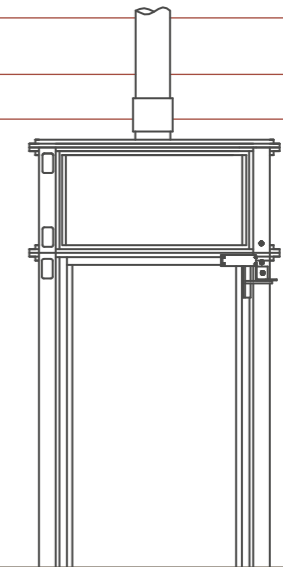
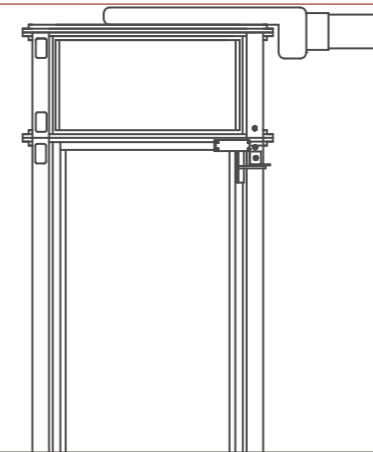
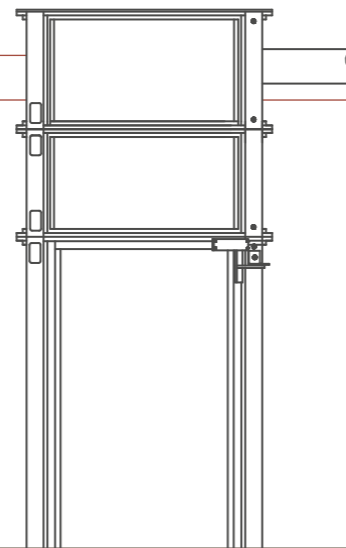
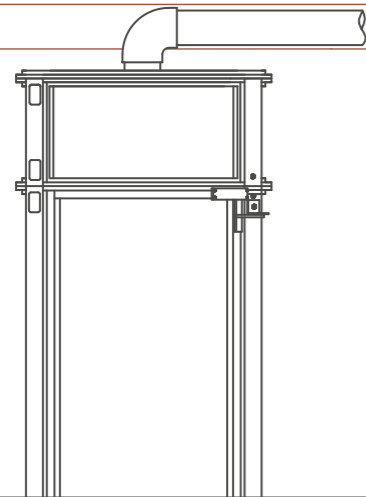
You can find the options in more detail on the next page.

SPLIT OPTIONS

2700 mm Fake head

2550 mm Standard Split

2450 mm Split Backpack
2450 mm Direct to ceiling



Fake head 2700 mm

Standard Split 2550 mm

Split Backpack 2450 mm
Direct to ceiling 2450 mm

Drawing out of scale

Drawing out of scale

STANDARD SPLIT

Standard installation of the split configuration, making use of elbow joints for joining the tubes and the top of the cylinder

The electrical control panel needs to be located inside the residence.

ADVANTAGES

Reduction of noise in relation to the head configuration

Customizable positioning of the vacuum system.

MINIMUM HEIGHT ON UPPER FLOOR

2550 mm

FAKE HEAD

Similar installation to the Standard Split but covered with an extension of the cylinder that conceals the PVC tubes' exit

It allows for the installation of the electrical control panel inside it, avoiding the need for wiring and supplementary works for installing them.

ADVANTAGES

Better aesthetic finish

Reduction of sound in relation to the head configuration.

MINIMUM HEIGHT ON UPPER FLOOR

2700 mm

SPLIT SIDE ADAPTER

An installation piece that allows the PVC tubes to be connected horizontally, avoiding the need for elbow joints and reducing the minimum height required

The electrical control panel must be located inside the residence. Pipes are visible.

ADVANTAGES

Minimal overhead distance (free height on the upper floor)

Reduction of sound in relation to the head configuration

Customizable positioning of the vacuum system and electrical control panel.

MINIMUM HEIGHT ON UPPER FLOOR

2450 mm

DIRECT VERTICAL

Installation of PVC tube(s) in a direct vertical position through the ceiling. As such, it's only a viable option if the home allows for a hole to be made in the ceiling.

The electrical control panel must be located inside the residence. Pipes are visible.

ADVANTAGES

Minimal overhead distance (free height on the upper floor)

Reduction of sound in relation to the head configuration

Customizable positioning of the vacuum system and electrical control panel

MINIMUM HEIGHT ON UPPER FLOOR

2450 mm